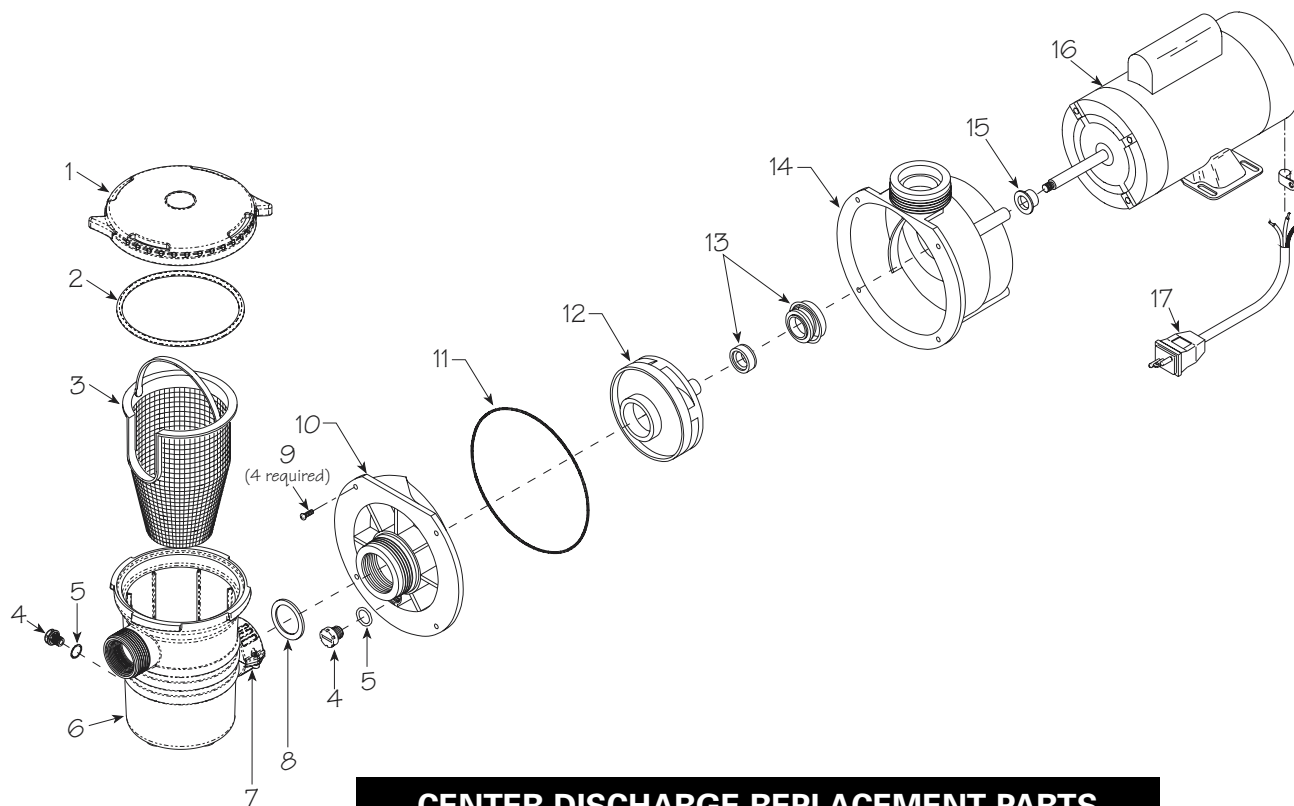


CENTER DISCHARGE

Replacement Parts



CENTER DISCHARGE REPLACEMENT PARTS

ITEM	PART NO.	DESCRIPTION
1	319-3260	Lid - 6" Trap - Easy Lock
2	805-0436	O-Ring - 6" Trap
3	319-3230	6" Trap Basket Assembly
4	715-1201	3/8" Quarter Slot Plug
5	805-0112	O-Ring - Wet End Drain Plug
6	319-2160	6" Trap Body 1 1/2" x 1 1/2"
7	400-5491B	1 1/2" Split Nut w/Nut
8	711-4000	1 1/2" Union Gasket
9	819-1110	Screw (4)
10	311-1110	Faceplate
11	805-0252	O-Ring - Faceplate Volute
12	310-5110	Impeller "A"
	310-5120	Impeller "B"
	310-5130	Impeller "C"
	310-5140	Impeller "D"
	310-5200	Impeller "E"
13	319-3100B	Seal Set
14	315-1120	Volute
15	313-1400	Slinger
16		Motor
17	813-0032	6 Ft. Cord Reg. Plug
	813-3000	3 Ft. Cord Twist Lock Plug

For 6" Trap 1999 & Earlier - see page 54.

For JZ Style Pump - all part numbers above are the same except #14 - for JZ style - that part is No. 315-1050.

Replacement Parts